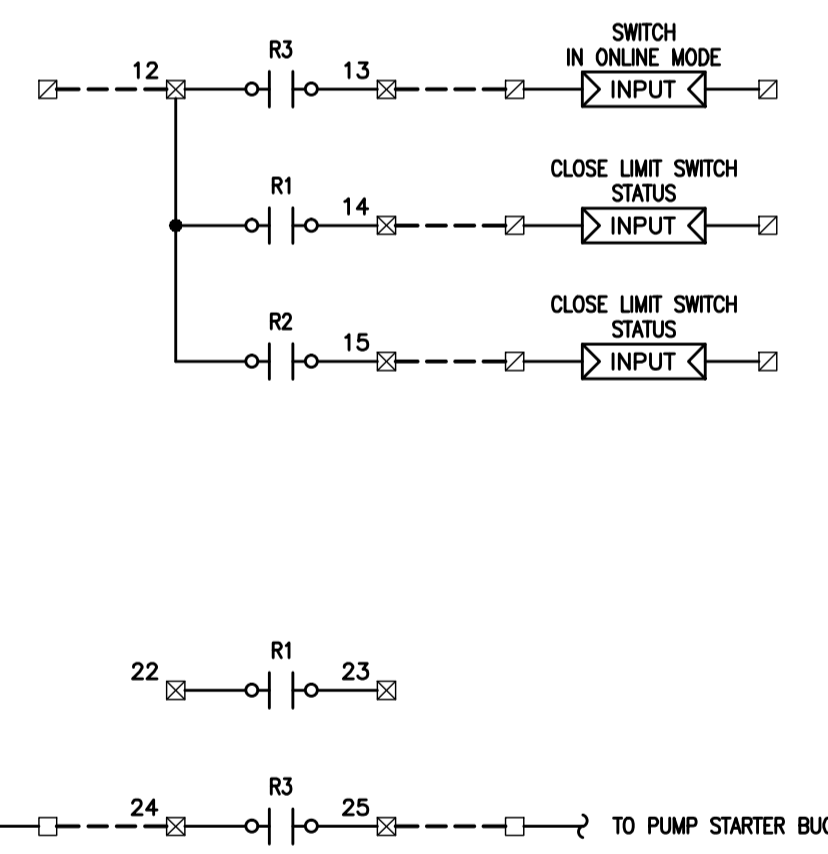
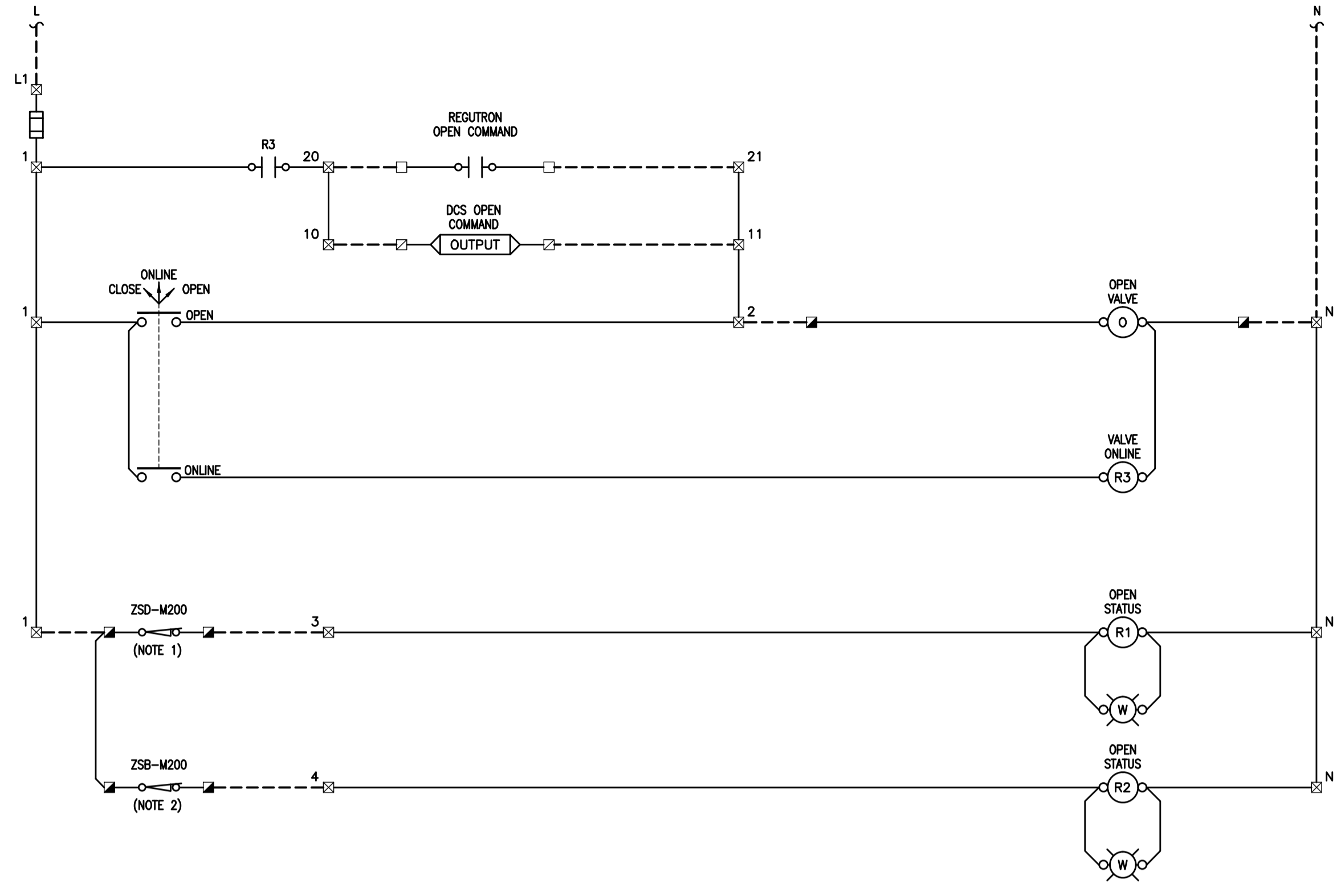
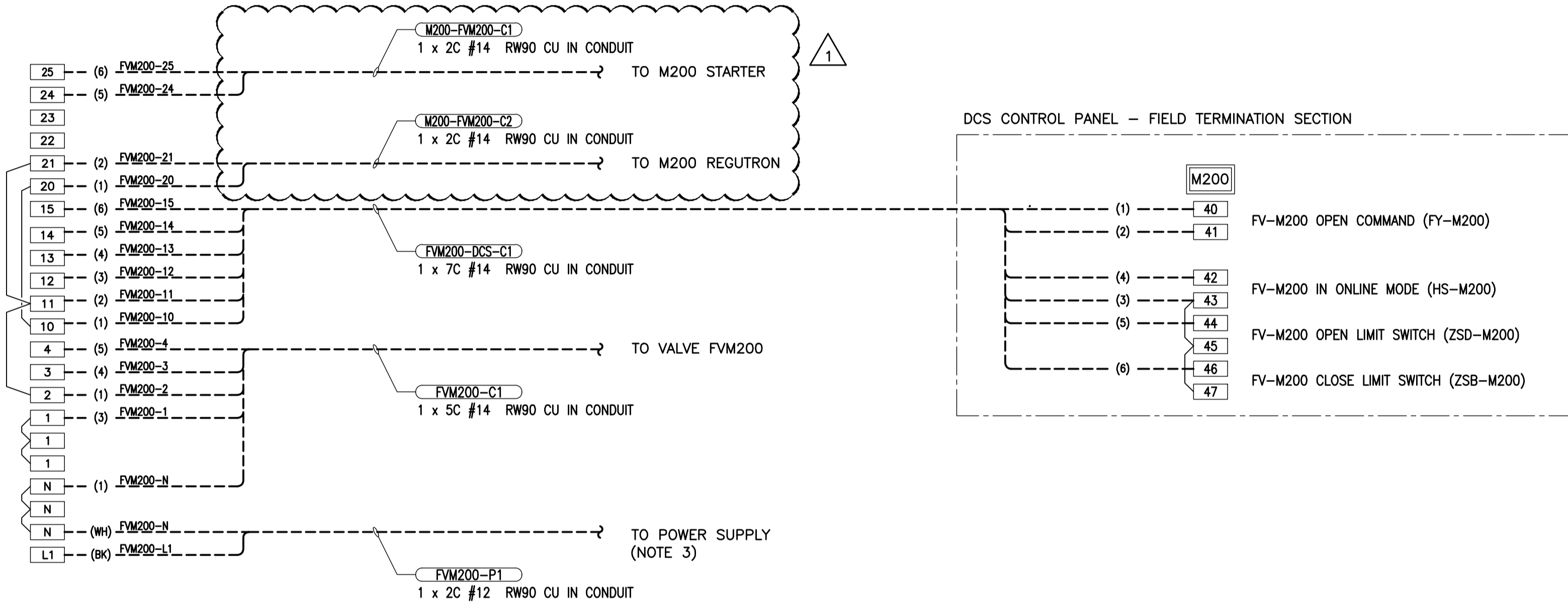


File Name: P:\Projects\2010\10-0107-23\Dwg\Elec\940-2011_Addendum_1_Drawing_E34_R1.dwg - Tab: E34 Plotted By: Gnelson 12/05/2011 [Mon 2:08pm] CW-9-M564-1



- NOTES:**
- LIMIT SWITCH CONTACT CLOSURES TO PROVE VALVE IN THE OPEN POSITION.
 - LIMIT SWITCH CONTACT CLOSURES TO PROVE VALVE IN THE CLOSED POSITION.
 - CONTRACTOR TO EXTEND TO THE NEAREST AVAILABLE POWER PANEL. PROVIDE A NEW 15A SINGLE POLE BREAKER WITHIN THE PANEL.



- LEGEND**
- VFD CONTROL ENCLOSURE TERMINALS
 - VALVE TERMINALS
 - VFD TERMINALS
 - DCS TERMINALS
 - VALVE ENCLOSURE TERMINALS
 - FIELD WIRING
 - PANEL WIRING
 - () CONDUCTOR IDENTIFICATION
 - WIRE CONNECTION
 - PILOT LIGHT
 - OUTPUT PLC OUTPUT
 - INPUT PLC INPUT



B.M. ELEV.	FIELD BOOK #:	KGS GROUP CONSULTING ENGINEERS		ENGINEER'S SEAL
POSTED TO LBIS		DESIGNED BY DDW	CHECKED BY JLL	THE ORIGINAL ISSUE REV. 0 WAS STAMPED, DATED AND SIGNED BY J.L. LALONDE, P.ENG. ON 2011/11/07
		DRAWN BY GCN	APPROVED BY RED	
		HDR. SCALE N.T.S.	RELEASED FOR CONSTRUCTION	E34
		VERTICAL N.T.S.		
1 ISSUED FOR ADDENDUM #1	2011-12-05	JLL		
0 ISSUED FOR TENDER	2011-11-07	JLL		
NO. REVISIONS	DATE	BY	DATE	2011 05 20

THE CITY OF WINNIPEG
WATER AND WASTE DEPARTMENT

REPLACEMENT OF RAW SEWAGE PUMP P-3 PERIMETER ROAD PUMPING STATION
ELECTRICAL
PUMP M200PP DISCHARGE VALVE FV-M200 SCHEMATIC & WIRING DIAGRAM

SHEET 1 OF 1
CITY DRAWING NUMBER